



CYLINDER VALVES

Cyl-Tec offers valves and accessories for all segments of the compressed gas market including industrial gases, medical gases, specialty gases, and more.

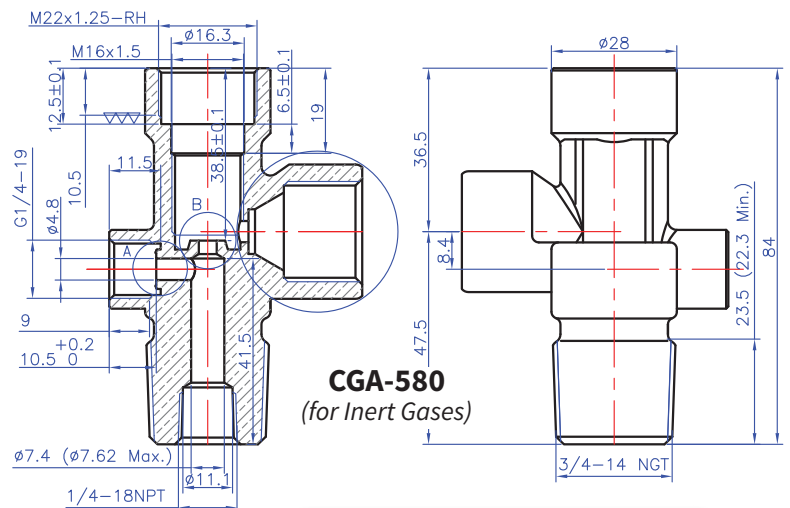
| COMMON CGAs * | |
|---------------|-----------------------------------------------|
| CGA No. | Type of Gas |
| 200 | Acetylene |
| 320 | Carbon Dioxide |
| 326 | Nitrous Oxide |
| 346 | Breathing Air |
| 347 | Air |
| 350 | Carbon Monoxide, Hydrogen |
| 510 | Acetylene |
| 520 | Acetylene |
| 540 | Oxygen |
| 580 | Argon, Helium, Krypton, Neon, Nitrogen, Xenon |
| 590 | Sulfur Hexafluoride |
| 680 | Argon, Helium, Krypton, Neon, Nitrogen, Xenon |

| COMMON CGAs FOR SMALL MEDICAL CYLINDERS * | |
|-------------------------------------------|------------------------|
| CGA No. | Type of Gas |
| 870 | Medical Oxygen |
| 910 | Nitrous Oxide |
| 940 | Carbon Dioxide, Oxygen |
| 950 | Medical Air |

* Other valve configurations are available based on your application.

KEY FEATURES & BENEFITS

- We carry premium brands, both domestic and import
- Available from stock in a variety of inlet, outlet, and PRD configurations
- Specialty gas valves for ultra-high purity, reactive, and corrosive gases
- Durable brass and stainless steel construction
- Meets strict international performance standards
- Valves are 100% helium leak-tested at the factory
- Dip tube installation upon request



U.S. TOLL FREE **888-429-5832**

www.cyl-tec.com 